

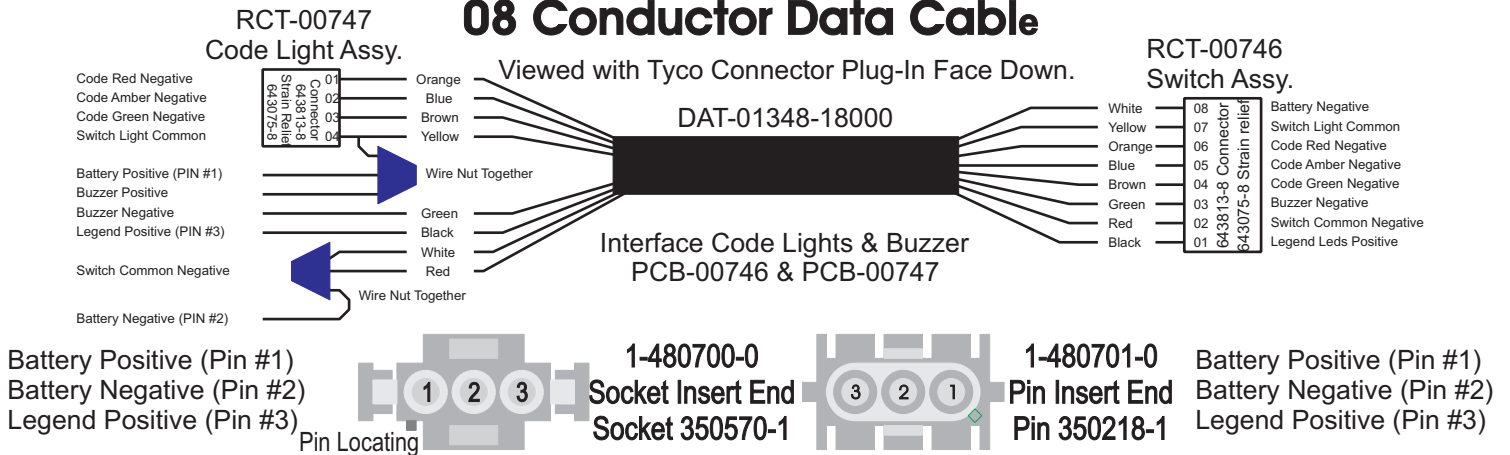
R. C. Tronics Incorporated

2573 East Kercher Road
Goshen, Indiana 46528
Toll Free 1-866-457-7790

Phone 1-574-642-3857
Fax 1-574-642-3858
<http://www.rctronics.com>

DAT-01348-18000

08 Conductor Data Cable



Code Light Interface for PCB-00746 and PCB-00747.
Requires independent 12 VDC Buzzer

Carol C-2465, 22 AWG, Stranded 7/30/8, unshielded eight conductor cable.
Cut each jacket end 6 inches long, remove jacket on each end.
Place connector into insertion equipment, start with #8 and complete with #1
Requires one (1) Tyco/Amp. 643813-8 connector & Tyco/Amp. 643075-8 end cap.

Terminate right end as shown.

Requires one (1) Tyco/Amp 643813-4 & Tyco/Amp. 643075-4 end cap.
Terminate left end as shown.

CHECK CABLE WITH CABLE CHECKER

#1 BLACK, #2 RED, #3 GREEN, #4 BROWN,

#5 BLUE, #6, ORANGE, #7 YELLOW, #8 WHITE

D
A
T

0
0
0
0
0

0
0

0
0

0
0

1st three Letters = Data Cable

2nd five numbers = Print Number

3rd two numbers = Configuration

4th two numbers = Length In Feet

5th last digit = Length In Inches