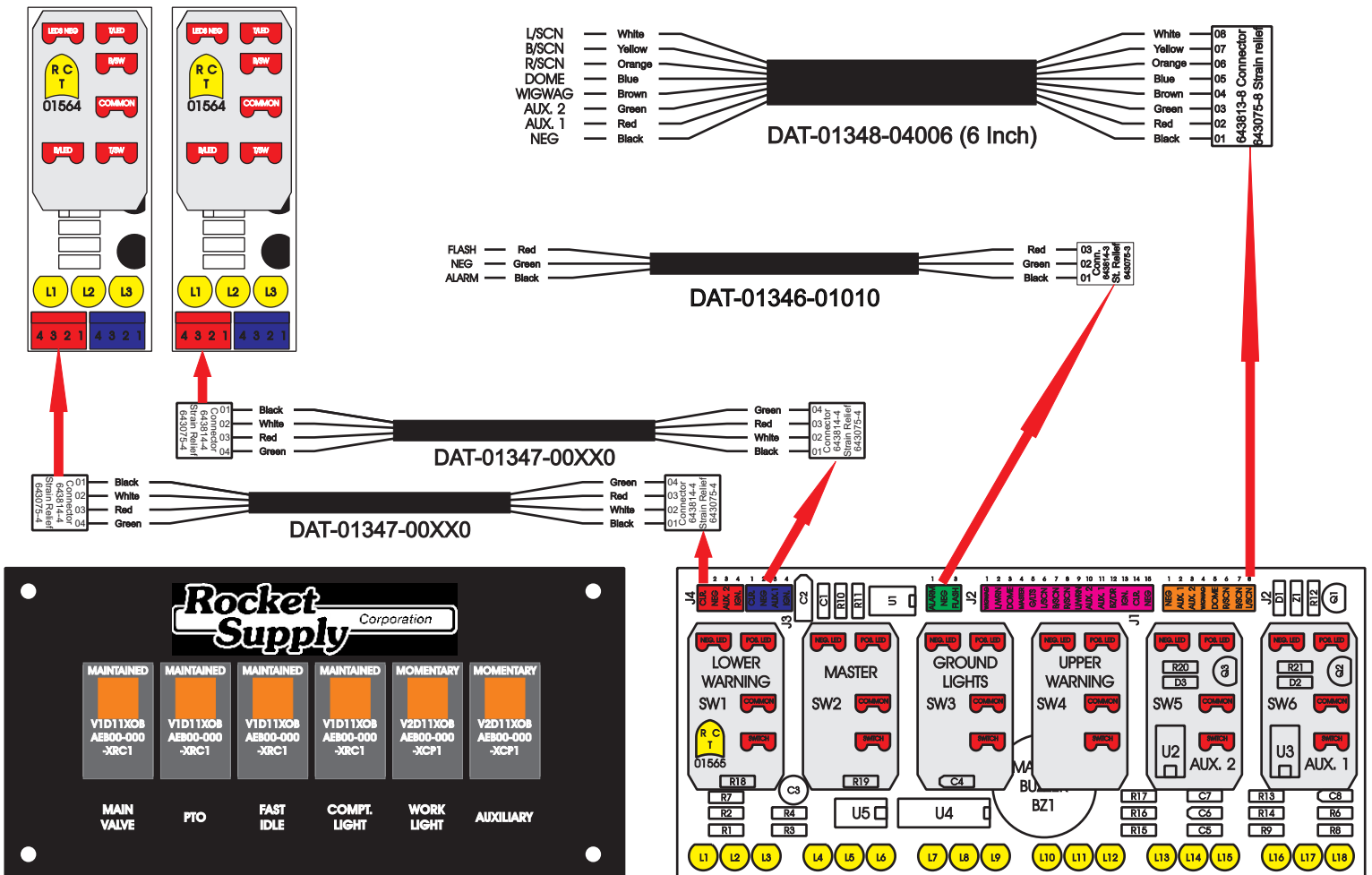


R. C. Tronics Incorporated

2573 East Kercher Road
Goshen, Indiana 46528
Toll Free 1-866-457-7790

Phone 1-574-642-3857
Fax 1-574-642-3858
<http://www.rctronics.com>

RCT-01575-0_00



- 1- Faceplate, FAC-01575-00700, Material, Carbon Fiber / Acrylic, part # RC09003
- 1- DAT-01348-040006, connect to S-01565/J2.
- 1- DAT-01346-01010, connect to S-01565/J3.
- 2- DAT-01347-00XX0, connects to S-01565, J3/J4 and S-01564, remote switch PCB.
- 1- S-01565 switch assembly PCB.
- 2- S-01564 switch assembly PCB, with Carling SB, Black, (ON)-OFF, V2D11XOB-AEB00-000-XCP1.
 - Switch #01 Carling SB, Black, ON-OFF, V1D11XOB-AEB00-000-XRC1, engraved, "MAIN VALVE."
 - Switch #02 Carling SB, Black, ON-OFF, V1D11XOB-AEB00-000-XRC1, engraved, "PTO."
 - Switch #03 Carling SB, Black, ON-OFF, V1D11XOB-AEB00-000-XRC1, engraved, "FAST IDLE."
 - Switch #04 Carling SB, Black, ON-OFF, V1D11XOB-AEB00-000-XRC1, engraved, "COMPT./LIGHT."
 - Switch #05 Carling SB, Black, (ON)-OFF, V2D11XOB-AEB00-000-XCP1, engraved, "WORK LIGHT."
 - Switch #06 Carling SB, Black, (ON)-OFF, V2D11XOB-AEB00-000-XRC1, engraved, "AXILLIARY."