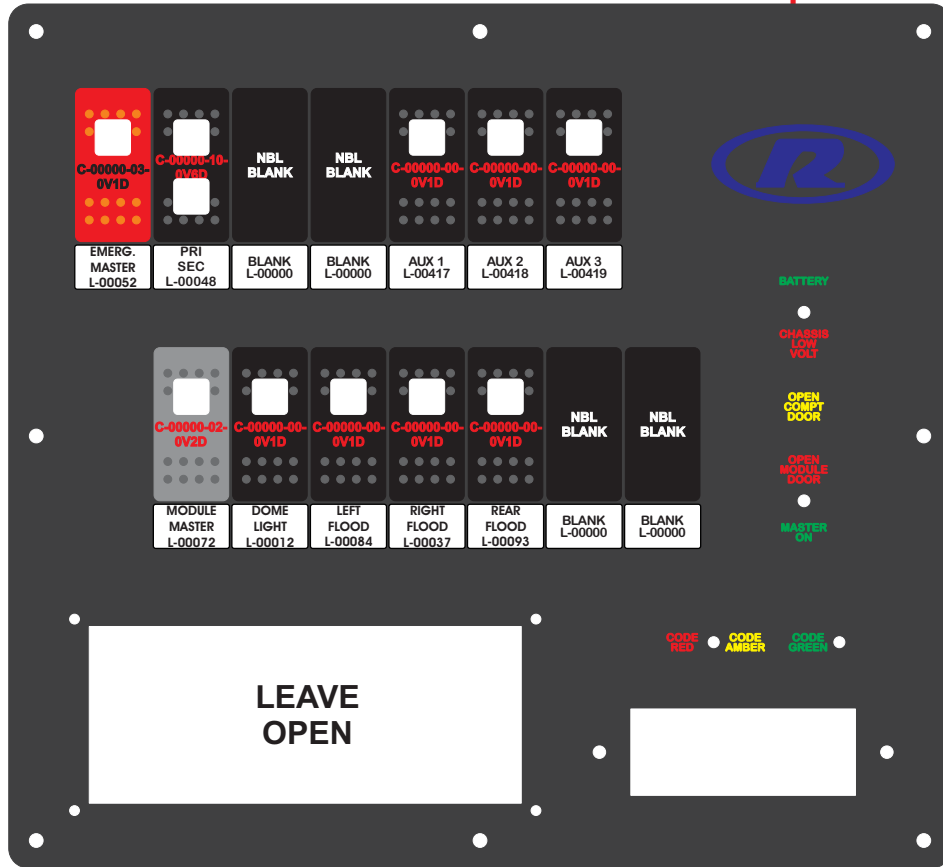


R. C. Tronics Incorporated

2573 East Kercher Road
Goshen, Indiana 46528
Toll Free 1-866-457-7790

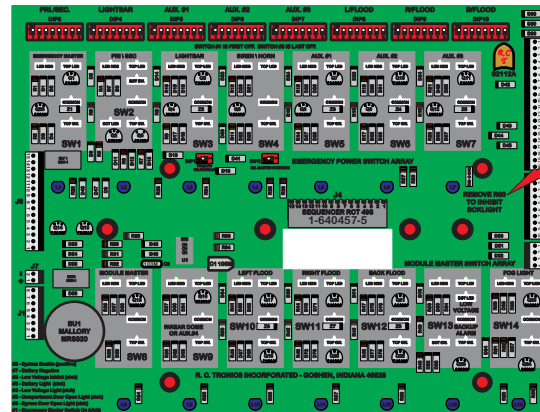
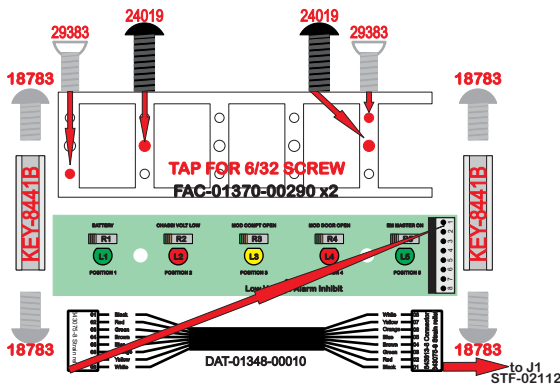
RCT-03225-0__01

Phone 1-574-642-3857
Fax 1-574-642-3858
<http://www.rctronics.com>



Logo Backlight STF-02377
needs to be on edge of
faceplate away from
cable connector

FAC-03225-00000
SIZE 12 X 11 INCHES



STF-02112-00004
w/ Blue Backlighting

NOTE:
STF-02112
REMOVE R60
(0ohm resistor) to
inhibit backlighting

