

c ?π?e ., .€zt†=Z€t, .f., .r.†w

dfvtz }z æx 1ÆM}vt †, .€z π , €†, .}†1

CFHD1r ††Λv. tyv. .c, ru
X, tyv€=1Æuz €r 1EGFCG
e }}MΛv 1B} GG>EFH}HUA

ay, €v 1B}FHE>GEC>DI FH
W < 1111B}FHE>GEC>DI FI
y#fKŠ Š Š?.t †, .€z †?, ~

VRT }ABEAI
Tr }æ.r. €†



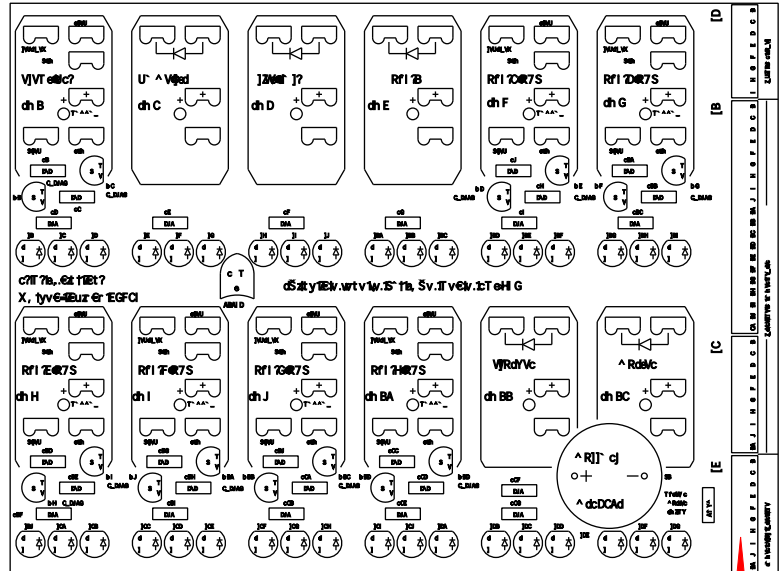
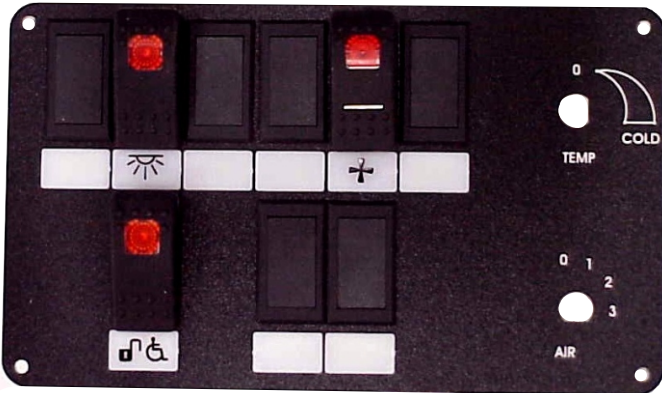
R.C. TRONICS, INC.
Specializing in Electronic Controls
2573
E. Kincher Rd.

c ?T?e ., .€zt†V€t, .f, .r.tu

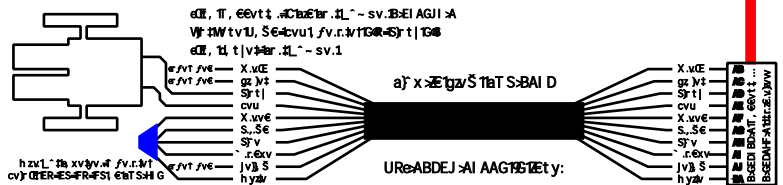
CFHDMr t†N.v.tyv..1c, r u
 X, tyv€=1€uz €r 1EGFCI
 e }M.v B> GG>EFH>HUA 1

ay, €v B>FHE>GEC>DI FH
 W < 1111B>FHE>GEC>DI FI
 y†fK@ŠŠ?.t†., €zt†?, ~

cT e>ABEAI >AAAAD=1cv } C†1ER=1ES=1FR17 1FS



aT S>BAI D



B>W t v f } r } v =MRT >ABCEB>AAAAA=^ r } v .z } =ev<† .v.††T, r } S} r t | 1† h yz v =ar .†L^ ~ sv.1 EC>ECC1
 B>d>ABAI D

B1>G1€t y=Ur } r } T r s } v =URE>ABDEJ >AI AAG=†t, €€vt †† t†T S>BAI D>[E1

1111† z v.1€^ †Lx.v.v€=s...Š€=s } v=† .r.€x v 17 †S yz v†† f v.r.†v†1.v.} C†1ER=1ES=1FR17 1FS?1

dŠ z† y 14 AB† r .}€x 1 S } S } r € | †S } z y } †AA } S } r € | †v x v € u ?

dŠ z† y 14 AC† r .}€x 1 dS=†S } r t | =† _> W†gBUBBi ` S>RVSAA>AAA† cT B†S } z y } †v x v € u } †BI C=† Z€v.z . } z y ?

dŠ z† y 14 AD† r .}€x 1 S } S } r € | †S } z y } †AA } S } r € | †v x v € u ?

dŠ z† y 14 AE† r .}€x 1 S } S } r € | †S } z y } †AA } S } r € | †v x v € u ?

dŠ z† y 14 AF† r .}€x 1 dS=† _> W† _=†gUBH i i S>RVŠ>AA>AAA† cT B†S } z y } †v x v € u } †BI F1 V<yr ^ ††W € ?

dŠ z† y 14 AG† r .}€x 1 S } S } r € | †S } z y } †AA } S } r € | †v x v € u ?

dŠ z† y 14 AH† ~ z†v u

dŠ z† y 14 AI † r .}€x 1 dS=†S } r t | =† _> W†gBUBBi ` S>RVSAA>AAA† cT B†S } z y } †v x v € u } †BI D1] z†v€†v.}, t | ?

dŠ z† y 14 AJ † ~ z†v u

dŠ z† y 14 BA† r .}€x 1 S } S } r € | †S } z y } †AA } S } r € | †v x v € u ?

dŠ z† y 14 BB† r .}€x 1 S } S } r € | †S } z y } †AA } S } r € | †v x v € u ?

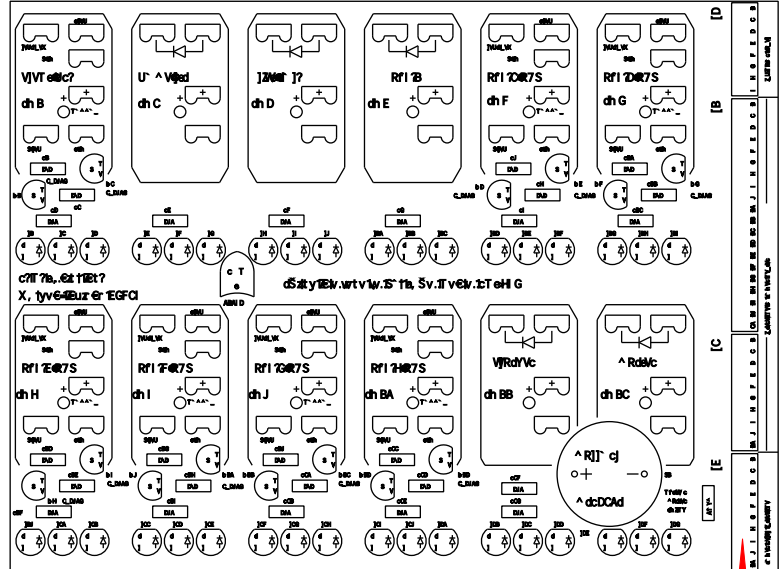
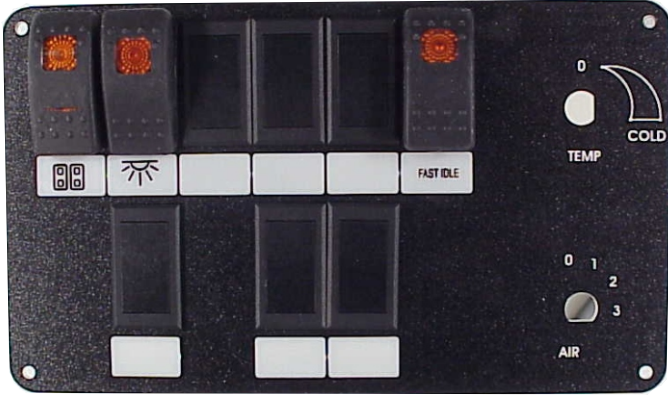
dŠ z† y 14 BC† ~ z†v u

c ?T?e ., .€zt†V€t, .f, .r.tu

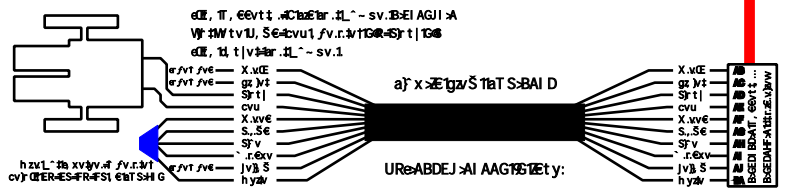
CFHDMr †#lv.tyv..lc, ru
 X, tyv€=€uz €r EGFCI
 e }M.v B> GG>EFH>HUA1

ay, €v B>FHE>GEC>DI FH
 W < 1111B>FHE>GEC>DI FI
 y†fK@ŠŠ?.t†., €zt†?, ~

cT e>ABEAI >AAAAE =cv } C†ER=ES=FR17 FS



aT S>BAI D



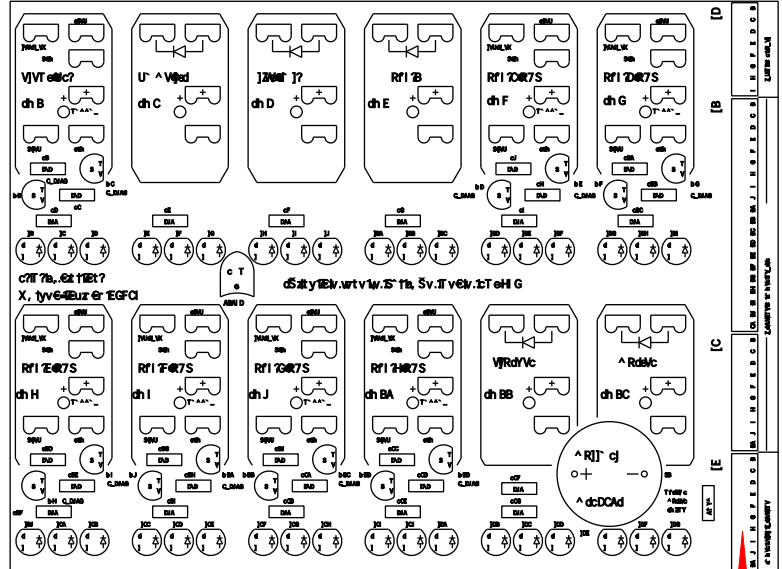
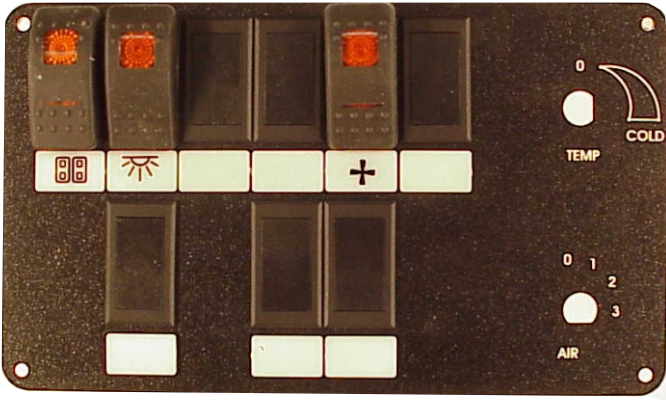
B>W tvf} †v =MRT >ABCEB>AAAAA=^ r †v.z }=ev<† .v.††, r }S}r t | 1† h yzv =ar .†_ ~ sv.1 EC>ECC1
 B>d>ABAI D
 B1>G†€ty=Ur †† r s}v =URE>ABDEJ >AI AAG=†t, €€vt †† †aT S>BAI D>[E1
 11119 zv.†€^ †lx.v.v€=s...Š€=s} v=† .r.€xv†7 †y†v?† f v.r.†v†1.v.} C†ER=ES=FR17 FS?1
 dŠz† y14 AB†† r. }€x†dS=†}r t | 19 _> W†9 _>†gl UB†h i i S>RVŠAA>AAA† R^ B†Š zy†jvxxv€u†j>B† B=† V€††€U, , .?
 dŠz† y14 AC†† r. }€x†dS=†}r t | 1 _> W†gBUBB†† S>RVŠAA>AAA† c† B†Š zy†jvxxv€u†j>B† C=† †€†v.z. .†jxy†?
 dŠz† y14 AD†† r. }€x†_S†}†}r € | †Šzy†j>AA†}r € | †jvxxv€u?
 dŠz† y14 AE†† r. }€x†_S†}†}r € | †Šzy†j>AA†}r € | †jvxxv€u?
 dŠz† y14 AF†† r. }€x†_S†}†}r € | †Šzy†j>AA†}r € | †jvxxv€u
 dŠz† y14 AG†† r. }€x†dS=†}r t | 1 _> W†gBUBB†† S>RVŠAA>AAA† c† B†Š zy†jvxxv€u†j>G=† W ††U}v ?
 dŠz† y14 AH† ~ ††v
 dŠz† y14 AI†† r. }€x†_S†}†}r € | †Šzy†j>AA†}r € | †jvxxv€u?
 dŠz† y14 AJ† ~ ††v
 dŠz† y14 BA†† r. }€x†_S†}†}r € | †Šzy†j>AA†}r € | †jvxxv€u
 dŠz† y14 BB†† r. }€x†_S†}†}r € | †Šzy†j>AA†}r € | †jvxxv€u
 dŠz† y14 BC† ~ ††v?

c ?T?e ., €zt†V€t, .f, .r.tu

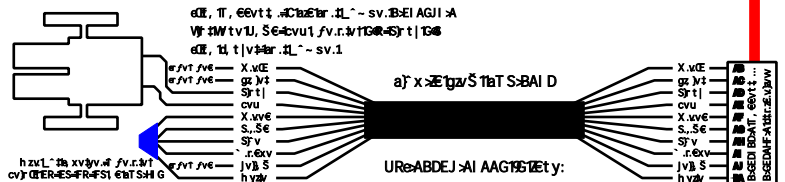
CFHDMr †#lv.tyv..lc, ru
 X, tyv€=€uz €r EGFCI
 e }M.v B> GG>EFH>HUA1

ay, €v B>FHE>GEC>DI FH
 W < 1111B>FHE>GEC>DI FI
 y†fK@ŠŠ?.t†., €zt†?, ~

cT e>ABEAI >AAAAF =cv } C†ER=ES=FR17 FS



aT S>BAI D



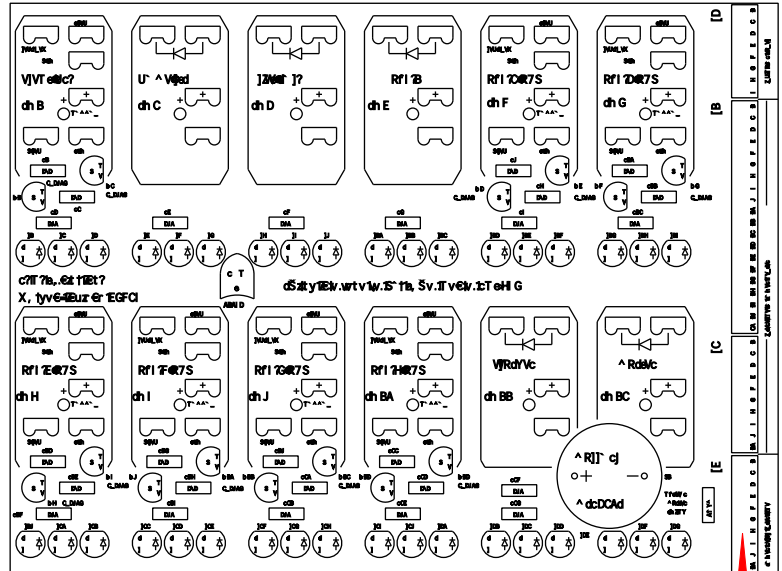
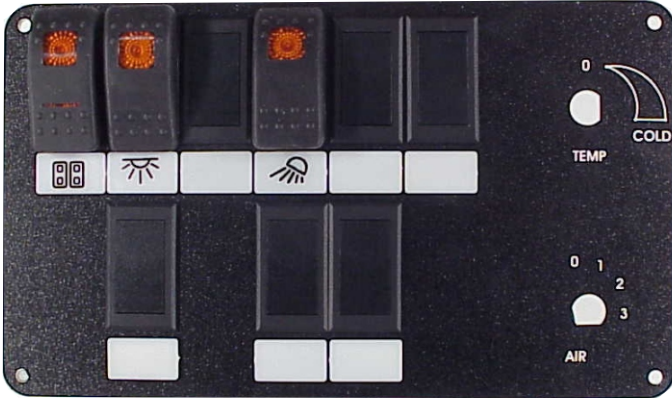
B>W tvf} tv =VRT >ABCEB>AAAAA=^ r tv.z }=ev<f .v††T, r }S}r t | 1h yzv =lar .†L ~ sv.1l EC>ECC1
 B>d>ABAI D
 B1>G1€ty=Ur †r †T r s}v =URE>ABDEJ >AI AAG=†t, €€vt ††t †aT S>BAI D>E1
 11119 zv.1€^ †Lx.v.v€=s...Š€=s} v=1 .r.€xv17 †Syzv?† fv.r.tv†1.v.} C†ER=ES=FR17 FS?1
 dŠzt y14 AB† r .}€x 1dS=†}r t | 19 _> Ww9 _>†gl UBh i i S>RV\$AA>AAA† R^ B†S zy†1vxv€u†>BI B=1 V€†.€U, , .?
 dŠzt y14 AC† r .}€x 1dS=†}r t | 1 _> Ww†gBUBBi ` S>RV\$AA>AAA† cT B†S zy†1vxv€u†>BI C=1 €†.z . .†}xy†?
 dŠzt y14 AD† r .}€x 1_S†}r € | †S zy†1>AA†}r € | †1vxv€u?
 dŠzt y14 AE† r .}€x 1_S†}r € | †S zy†1>AA†}r € | †1vxv€u?
 dŠzt y14 AF† r .}€x 1dS=†}r t | 1 _> Ww _>†gUBh i i S>RV\$AA>AAA† cT B†S zy†1vxv€u†>BI F=1 Uvw.††v .†W €?
 dŠzt y14 AG† r .}€x 1_S†}r € | †S zy†1>AA†}r € | †1vxv€u
 dŠzt y14 AH† ~ ††vu
 dŠzt y14 AI † r .}€x 1_S†}r € | †S zy†1>AA†}r € | †1vxv€u?
 dŠzt y14 AJ† ~ ††vu
 dŠzt y14 BA† r .}€x 1_S†}r € | †S zy†1>AA†}r € | †1vxv€u
 dŠzt y14 BB† r .}€x 1_S†}r € | †S zy†1>AA†}r € | †1vxv€u
 dŠzt y14 BC† ~ ††vu?

c ?T?e.,.€zt†V€t, .f., .r.†u

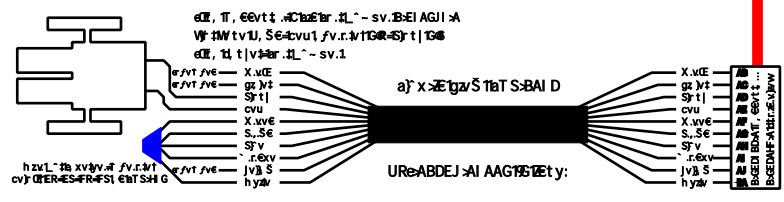
CFHDVr ††v.tyv..1c, r u
 X, tyv€=Euz €r EGFCI
 e }M.v B> GG>EFH>HUA 1

ay, €v B>FHE>GEC>DI FH
 W < 1111B>FHE>GEC>DI FI
 y†fK@ŠŠ?.t†., €zt†?, ~

cT e>ABEAI >AAAAH=1cv } c†ER=ES=FR17 FS



aT S>BAI D



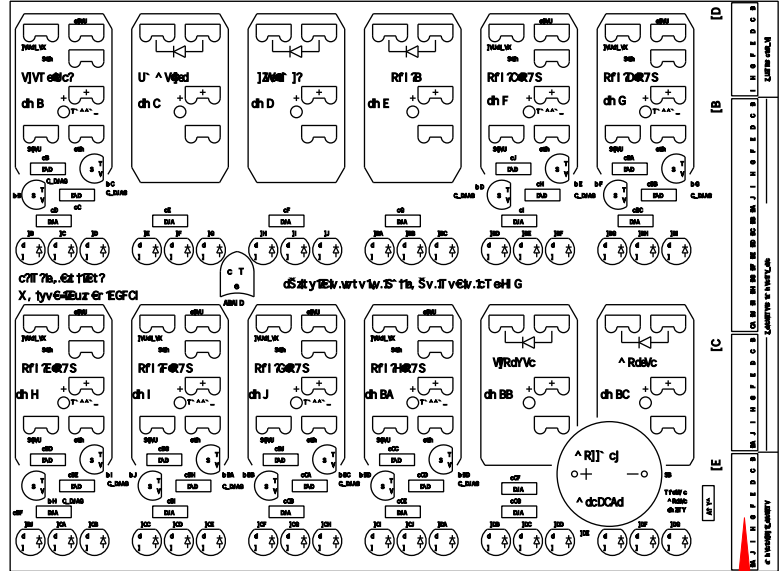
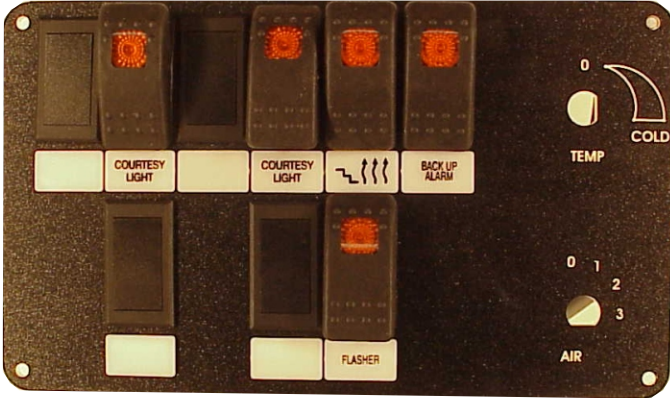
B>W t v f } †v =MRT >ABCEB>AAAAA=^ r †v.z }=ev<† .v.††, r }†S}r t | 1†h yzv =ar .†L^ ~ sv.1l EC>ECC1
 B>d>ABAI D
 B1>G1€t y=Ur †† r s }v =URE>ABDEJ >AI AAG=†t, €€vt ††† ††† S>BAI D>[E1
 111119 zv.1€^ †Lx.v.v€=s...Š€=s } v=1 .r.€xv 17 †Syzv?† f v.r.†v†1.v.† c†ER=ES=FR17 FS?.1
 dŠ z† y 14 AB†† r. }€x 1dS=†S}r t | 19 _> W†9 _>†gl UB>h i i S>RVŠAA>AAA> R^ B†Š zy 1†vxv€u 1>B† B=† V€††E†U, , .?
 dŠ z† y 14 AC†† r. }€x 1dS=†S}r t | 1 _> W†gBUBBi ` S>RVŠAA>AAA> c† B†Š zy 1†vxv€u 1>B† C=† E†v.z. .1}xy†?
 dŠ z† y 14 AD†† r. }€x 1_S }†S}r € | †Š zy 1>AA†S}r € | 1†vxv€u?
 dŠ z† y 14 AE†† r. }€x 1dS=†S}r t | 1 _> W†gBUBBi ` S>RVŠAA>AAA> c† B†Š zy 1†vxv€u 1>B† E=† cvr u€x 1†xy†?
 dŠ z† y 14 AF†† r. }€x 1_S }†S}r € | †Š zy 1>AA†S}r € | 1†vxv€u
 dŠ z† y 14 AG†† r. }€x 1_S }†S}r € | †Š zy 1>AA†S}r € | 1†vxv€u
 dŠ z† y 14 AH† ~ z††u
 dŠ z† y 14 AI†† r. }€x 1_S }†S}r € | †Š zy 1>AA†S}r € | 1†vxv€u?
 dŠ z† y 14 AJ† ~ z††u
 dŠ z† y 14 BA†† r. }€x 1_S }†S}r € | †Š zy 1>AA†S}r € | 1†vxv€u
 dŠ z† y 14 BB†† r. }€x 1_S }†S}r € | †Š zy 1>AA†S}r € | 1†vxv€u
 dŠ z† y 14 BC† ~ z††u?

c ?T?e ., .€zt†V€t, .f, .r.tu

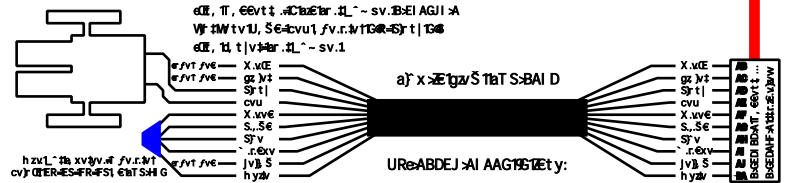
CFHDMr t#lv.tyv..ic, ru
X, tyv€=Euz €r EGFCI
e }M.vv B> GG>EFH>HUA1

ay, €v B>FHE>GEC>DI FH
W < 1111B>FHE>GEC>DI FI
y#fK@ŠŠ?.t‡., €zt†?, ~

cT e>ABEAI >AAABA=1cv } €†ER=ES=FR17 FS



aT S>BAI D



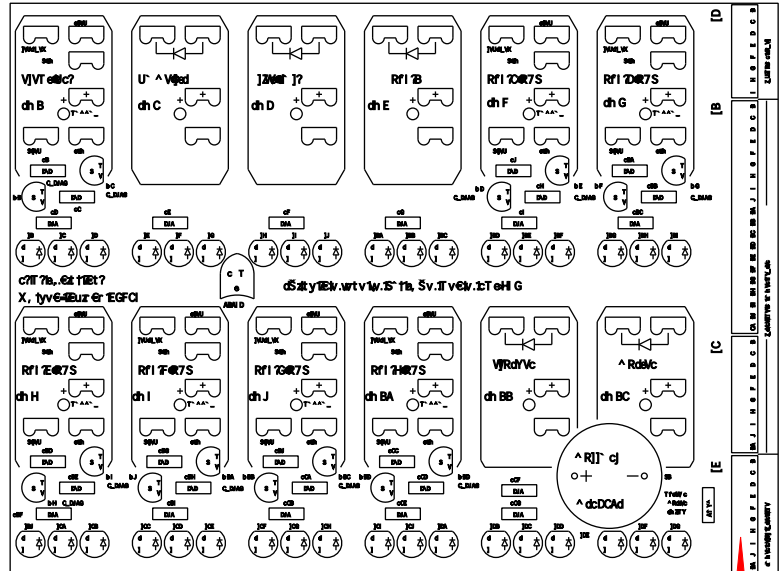
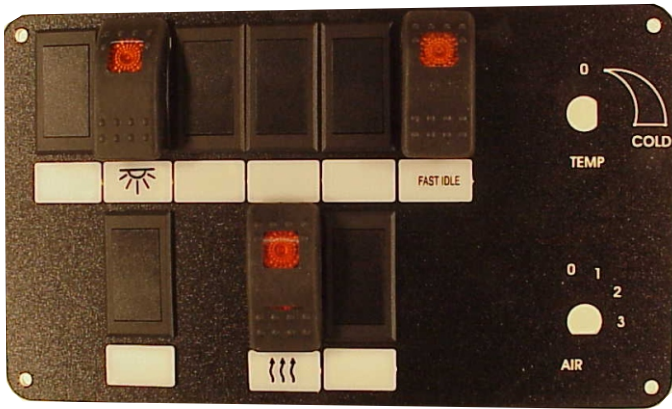
B>W tvf}r }v=VRT >ABCEB>AAAAA=^ r }v.z }=ev<† .v†††, r }S}r t | 1† h yzv=ar .†_ ~ sv.1 EC>ECC1
B>d>ABAI D
B1>G†€ty=Ur }r }† r s}v=URE>ABDEJ >AI AAG=††, €€vt††† †aT S>BAI D>E1
111119 zv.†€^ ††x.v.v€=s...Š€=s} v=† .r.€xv†7 †Syzv?† f v.r.†v†1.v.} €†ER=ES=FR17 FS?1
dŠ z† y14 AB†† r. }€x 1_S}†S}r €† | Š z† y1 >AA†S}r €† |†vxxv€u?
dŠ z† y14 AC†† r. }€x 1dS=†S}r t |† _> WAgBUBBi` S>RVSAA>AAA; cT B†Š z† y1†vxxv€u1 >CAC=† T, ^ .†v††€† z† y†?
dŠ z† y14 AD†† r. }€x 1_S}†S}r €† | Š z† y1 >AA†S}r €† |†vxxv€u?
dŠ z† y14 AE†† r. }€x 1dS=†S}r t |† _> WAgBUBBi` S>RVSAA>AAA; cT B†Š z† y1†vxxv€u1 >CAC=† T, ^ .†v††€† z† y†?
dŠ z† y14 AF†† r. }€x 1dS=†S}r t |† _> WAgBUBBi` S>RVSAA>AAA; cT B†Š z† y1†vxxv€u1 >BI G1 Yvr }v†u†d†v ?
dŠ z† y14 AG†† r. }€x 1dS=†S}r t |† _> WAgBUBBi` S>RVSAA>AAA; cT B†Š z† y1†vxxv€u1 >EC1 Sr t |†f†R}r ... ?
dŠ z† y14 AH† ~ z††v†
dŠ z† y14 AI†† r. }€x 1_S}†S}r €† | Š z† y1 >AA†S}r €† |†vxxv€u?
dŠ z† y14 AJ† ~ z††v†
dŠ z† y14 BA†† r. }€x 1_S}†S}r €† | Š z† y1 >AA†S}r €† |†vxxv€u
dŠ z† y14 BB†† r. }€x 1dS=† _> WAgBUBBi` S>RVSAA>AAA; cT B†Š z† y1†vxxv€u1 >EG1 W† tyv...?
dŠ z† y14 BC† ~ z††v†?

c ?T?e ., .€zt†V€t, .f, .r.tu

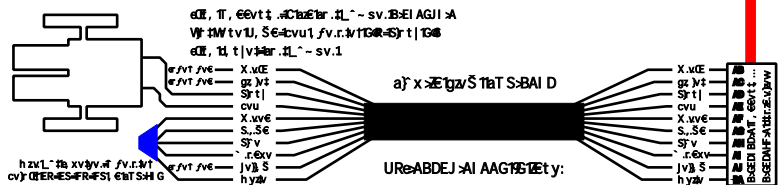
CFHDMr t†N.v.tyv..1c, r u
 X, tyv€=1€uz €r 1EGFCI
 e }M.v B> GG>EFH>HUA 1

ay, €v B>FHE>GEC>DI FH
 W < 1111B>FHE>GEC>DI FI
 y t†K @ Š Š ? . t † . , € z t † ? , ~

cT e>ABEAI >AAABC=1cv } C†1ER=1ES=1FR17 1FS



aT S>BAI D



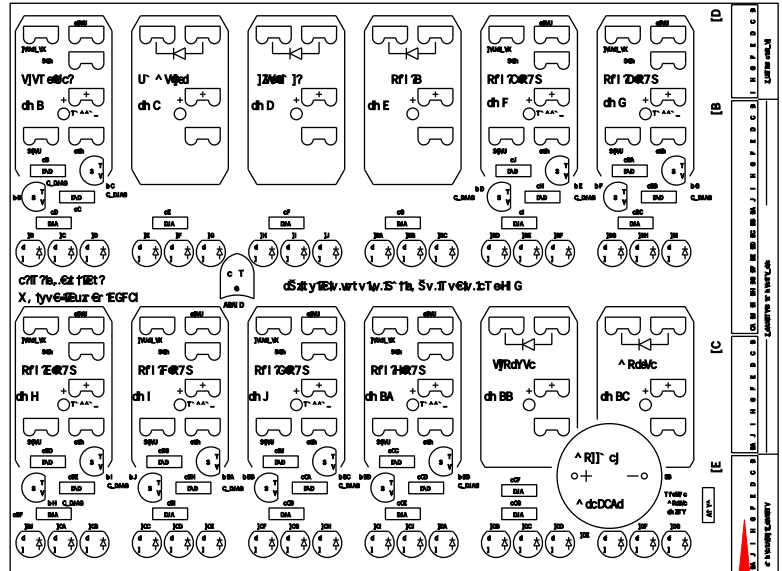
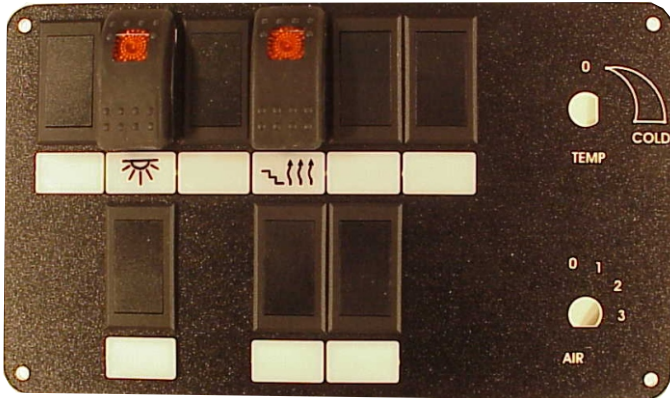
B>W t v f } t v =MRT >ABCEB>AAAAA=^ r t v . z }=ev<f .v.t†T, r }S}r t | 1†h y z v =lar .†L ~ sv.1l EC>ECC1
 B>d>ABAI D
 B1>G1€t y=Ur †† r s }v =URE>ABDEJ >AI AAG=†t, €€vt ††† ††t S>BAI D>E1
 111119 zv.1€^ †Lx .v.v€=s...Š€=s } v =† .r.€xv 17 †S y z v ?† f v .r.†v †1.v.} C†1ER=1ES=1FR17 1FS? 1
 dŠ z† y 14 AB†† r .}€x 1_S }†S}r € | †S z† y }†AA†S}r € | }†v x v €u ?
 dŠ z† y 14 AC†† r .}€x 1dS=†S}r t | † _ > W†gBUBBi ` S>RVSAA>AAA† c T B†S z† y }†v x v €u }†B† C=† Z€†v .z . }†x y ?
 dŠ z† y 14 AD†† r .}€x 1_S }†S}r € | †S z† y }†AA†S}r € | }†v x v €u ?
 dŠ z† y 14 AE†† r .}€x 1_S }†S}r € | †S z† y }†AA†S}r € | }†v x v €u ?
 dŠ z† y 14 AF†† r .}€x 1_S }†S}r € | †S z† y }†AA†S}r € | }†v x v €u ?
 dŠ z† y 14 AG†† r .}€x 1dS=†S}r t | † _ > W†gBUBBi ` S>RVSAA>AAA† c T B†S z† y }†v x v €u }†G=† W ††Z†u }v ?
 dŠ z† y 14 AH† ~ z†t v u
 dŠ z† y 14 AI†† r .}€x 1_S }†S}r € | †S z† y }†AA†S}r € | }†v x v €u ?
 dŠ z† y 14 AJ† ~ z†t v u
 dŠ z† y 14 BA†† r .}€x 1dS=† _ > W† _ =†gUBH i i S>RVŠ>AA>AAA† c T B†S z† y }†v x v €u }†B† H1 C€u †cvr .†Yvr t v ...?
 dŠ z† y 14 BB†† r .}€x 1_S }†S}r € | †S z† y }†AA†S}r € | }†v x v €u ?
 dŠ z† y 14 BC† ~ z†t v u

c ?T?e ., .€zt†V€t, .f, .r.tu

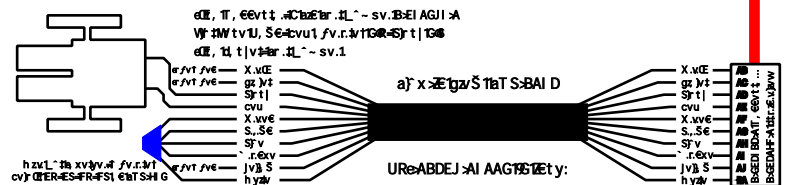
CFHDMr t†N.v.tyv..1c, r u
 X, tyv€=1€uz €r 1EGFCI
 e }M.v v B> GG>EFH>HUA 1

ay, €v B>FHE>GEC>DI FH
 W < 1111B>FHE>GEC>DI FI
 y†fK@ŠŠ?.t†., €zt†?, ~

cT e>ABEAI >AAABD=1cv } C†1ER=1ES=1FR17 1FS



aT S>BAI D



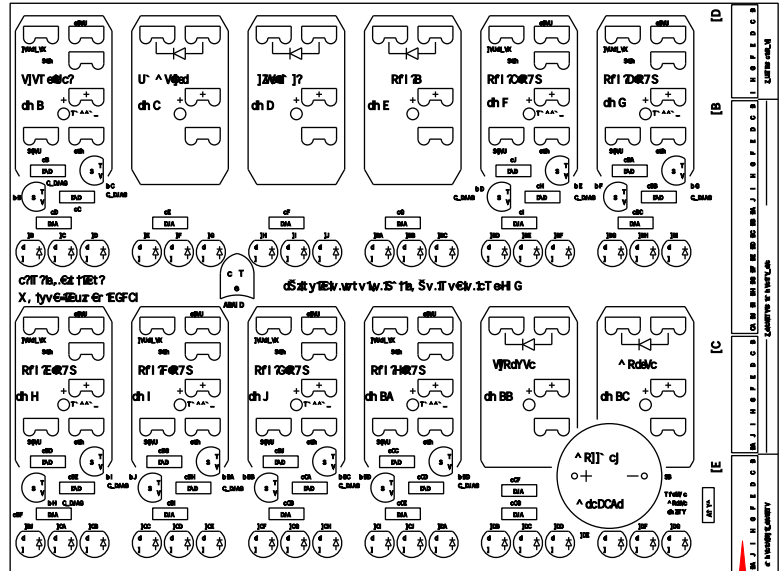
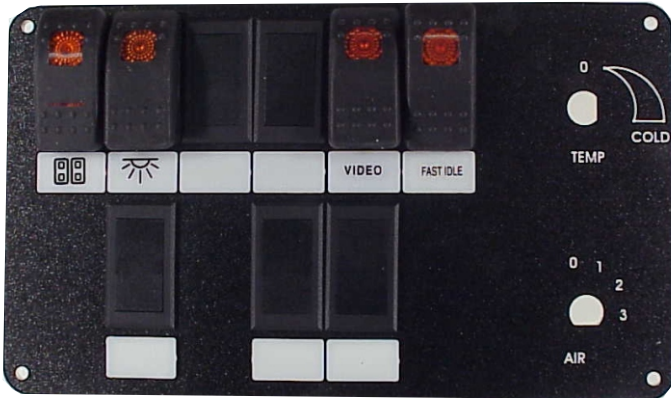
B>W t v f } †v =VRT >ABCEB>AAAAA=^ r †v.z }=ev<† .v†††, r }S}r t | 1† h yzv =lar .†_ ~ sv.1l EC>ECC1
 B>d>ABAI D
 B1>G1€t y=Ur †† r s }v =URE>ABDEJ >AI AAG=††, €€vt ††† ††† S>BAI D>E1
 111119 zv.1€ ^ ††x.v.v€=s...Š€=s } v=† .r.€xv 17 †Syzv?† f v.r.†v†1.v.} C†1ER=1ES=1FR17 1FS?1
 dŠ z† y 14 AB†† r. }€x 1_S }†S}r € | †S z† y 1 >AA†S}r € | 1}vxx€u
 dŠ z† y 14 AC†† r. }€x 1dS=†S}r t | † _> WAgBUBBi ` S>RVSAA>AAA; cT B†S z† y 1}vxx€u 1 }>BI C=† Z€†v.z. .1}xy†?
 dŠ z† y 14 AD†† r. }€x 1_S }†S}r € | †S z† y 1 >AA†S}r € | 1}vxx€u?
 dŠ z† y 14 AE†† r. }€x 1dS=†S}r t | † _> WAgBUBBi ` S>RVSAA>AAA; cT B†S z† y 1}vxx€u 1 }>BI G1 Yvr †vu†d†v f ?
 dŠ z† y 14 AF†† r. }€x 1_S }†S}r € | †S z† y 1 >AA†S}r € | 1}vxx€u
 dŠ z† y 14 AG†† r. }€x 1_S }†S}r € | †S z† y 1 >AA†S}r € | 1}vxx€u?
 dŠ z† y 14 AH† ~ z††vu
 dŠ z† y 14 AI†† r. }€x 1_S }†S}r € | †S z† y 1 >AA†S}r € | 1}vxx€u?
 dŠ z† y 14 AJ† ~ z††vu
 dŠ z† y 14 BA†† r. }€x 1_S }†S}r € | †S z† y 1 >AA†S}r € | 1}vxx€u
 dŠ z† y 14 BB†† r. }€x 1_S }†S}r € | †S z† y 1 >AA†S}r € | 1}vxx€u
 dŠ z† y 14 BC† ~ z††vu?

c ?T?e ., .€zt†V€t, .f, .r.tu

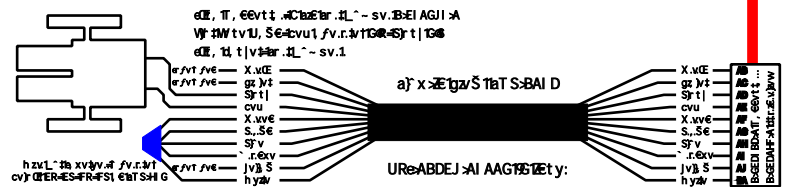
CFHDMr t†Nv.tyv..1c, ru
 X, tyv€=€uz €r 1EGFCI
 e }M.v B> GG>EFH>HUA1

ay, €v B>FHE>GEC>DI FH
 W < 1111B>FHE>GEC>DI FI
 y†fK@ŠŠ?.t†., €zt†?, ~

cT e>ABEAI >AAABE =1cv } C†1ER=1ES=1FR17 1FS



aT S>BAI D



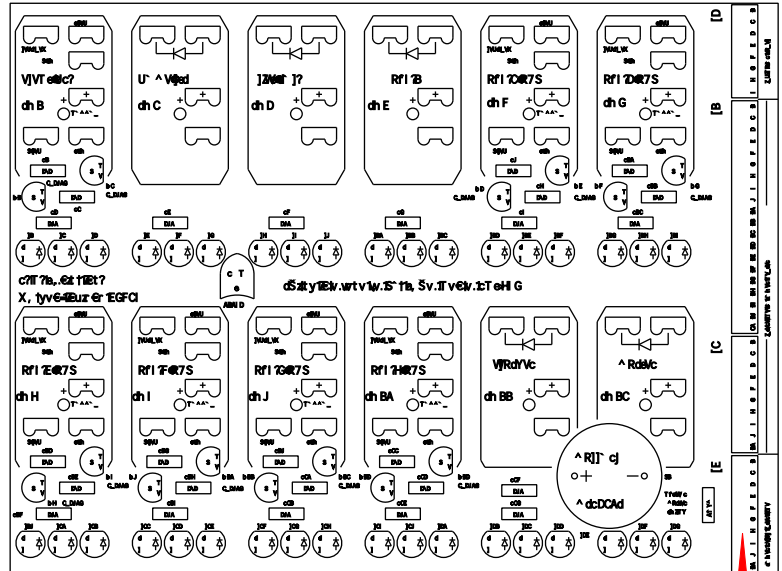
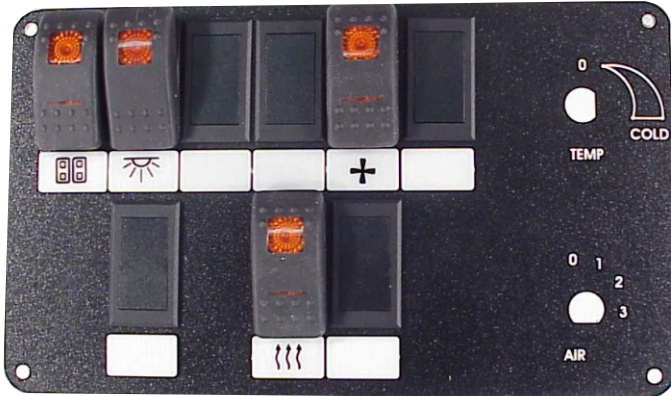
- B>W t v f } t v =MRT >ABCEB>AAAAA=^ r t v .x }=ev<f .v.t†T, r }S}r t | 1† h yzv =ar .†_ ~ sv.1 EC>ECC1
- B>d>ABAI D
- B1>G1€t y=Ur †r †T r s }v =URE>ABDEJ >AI AAG=†t, €€vt †† t†T S>BAI D>[E1
- 111119 zv.1€^ †Lx.v.v€=s...Š€=s } v=1 .r.€xv17 †Syzv?† f v.r.t†1.v.}r C†1ER=1ES=1FR17 1FS?1
- dŠ z† y14 AB†T r .}€x 1dS=†}r t | † 19 _> W†9 _>†gl UB>h i i S>RVŠAA>AAA> R^ B†Š zy 1}vxv€u 1}>BI B=1 V€†.€U, , .?
- dŠ z† y14 AC†T r .}€x 1dS=†}r t | † 1 _> W†gBUBBI ` S>RVŠAA>AAA> c†T B†Š zy 1}vxv€u 1}>BI C=1 €†.z. .1}xy†?
- dŠ z† y14 AD†T r .}€x 1_S }†S}r € | †Š zy 1}>AA†S}r € | 1}vxv€u?
- dŠ z† y14 AE†T r .}€x 1_S }†S}r € | †Š zy 1}>AA†S}r € | 1}vxv€u?
- dŠ z† y14 AF†T r .}€x 1dS=†}r t | † 1 _> W†gBUBBI ` S>RVŠAA>AAA> c†T B†Š zy 1}vxv€u 1}>BEJ =1 gzv, ?
- dŠ z† y14 AG†T r .}€x 1dS=†}r t | † 1 _> W†gBUBBI ` S>RVŠAA>AAA> c†T B†Š zy 1}vxv€u 1}>G=1 W ††Zu }v ?
- dŠ z† y14 AH† ~ z†tu
- dŠ z† y14 AI †T r .}€x 1_S }†S}r € | †Š zy 1}>AA†S}r € | 1}vxv€u?
- dŠ z† y14 AJ † ~ z†tu
- dŠ z† y14 BA†T r .}€x 1_S }†S}r € | †Š zy 1}>AA†S}r € | 1}vxv€u
- dŠ z† y14 BB†T r .}€x 1_S }†S}r € | †Š zy 1}>AA†S}r € | 1}vxv€u
- dŠ z† y14 BC† ~ z†tu?

c ?T?e ., .€zt†V€t, .f, .r.tu

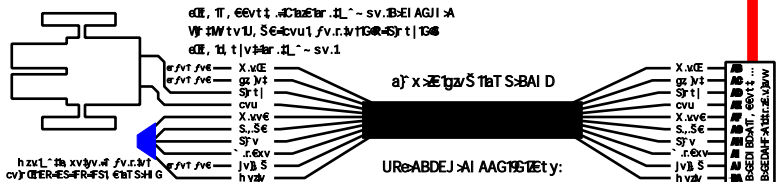
CFHDMr †#lv.tyv..lc, ru
X, tyv€=Euz €r EGFCI
e }M.v B> GG>EFH>HUA1

ay, €v B>FHE>GEC>DI FH
W< 1111B>FHE>GEC>DI FI
y†fK@ŠŠ?.t†., €zt†?, ~

cT e>ABEAI >AAABG=1cv } C†ER=ES=FR17 FS



aT S>BAI D



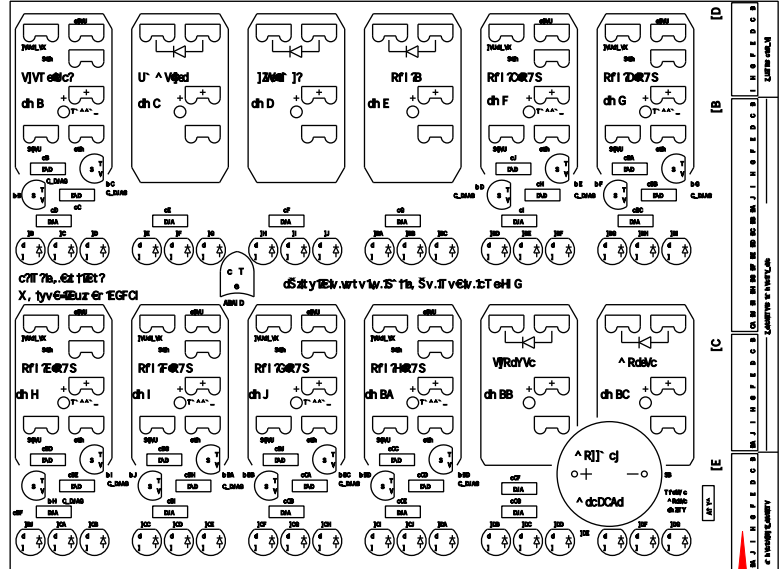
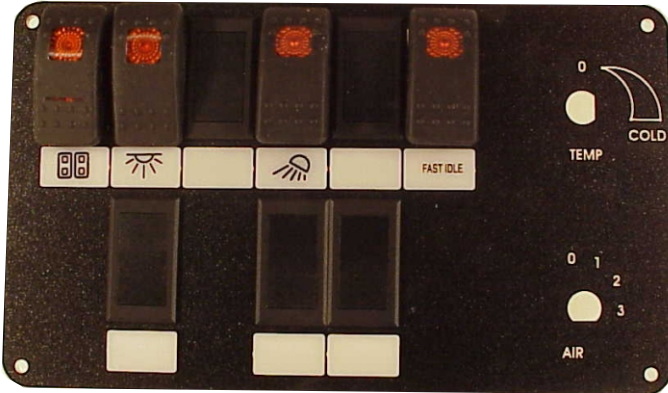
B>W tvf} tv =VRT >ABCEB>AAAAA=^ r tv.z }=ev<f .v††, r }S}r t | 1†h yzv =lar .†L^ ~ sv.1† EC>ECC1
B>d>ABAI D
B1>G1€ty=Ur †r ††rs}v =URE>ABDEJ >AI AAG=†t, €€vt ††† ††† S>BAI D>[E1
111119 zv.†€^ ††x.v.v€=s...Š€=s} v=† .r.€xv†7 †Syzv?† f.v.r.†v†1.v.} C†ER=ES=FR17 FS?1
dŠzt y14 AB††r .}€x †dS=†}r t | 19 _> W†9 _>†gl UB††† S>RV\$AA>AAA† R^ B†S zy†1vxxv€u†>BI B=† V€††††, ...?
dŠzt y14 AC††r .}€x †dS=†}r t | 1 _> W†gBUBBI` S>RV\$AA>AAA† c† B†S zy†1vxxv€u†>BI C=† †€†v.z .†]xy†?
dŠzt y14 AD††r .}€x †_S]†S}r € | †S zy†1>AA†S}r € | †1vxxv€u?
dŠzt y14 AE††r .}€x †_S]†S}r € | †S zy†1>AA†S}r € | †1vxxv€u?
dŠzt y14 AF††r .}€x †dS=†}r t | 1 _> W† _>†gGUB††† S>RV\$AA>AAA† c† B†S zy†1vxxv€u†>BI F=† Uvw.††v .†W € ?
dŠzt y14 AG††r .}€x †_S]†S}r € | †S zy†1>AA†S}r € | †1vxxv€u
dŠzt y14 AH† ~ ††v
dŠzt y14 AI††r .}€x †_S]†S}r € | †S zy†1>AA†S}r € | †1vxxv€u?
dŠzt y14 AJ† ~ ††v
dŠzt y14 BA††r .}€x †dS=†}r t | 1 _> W† _>†gGUB††† S>RV\$AA>AAA† c† B†S zy†1vxxv€u†>BI H=† C€u†cvr .†Yvr †v...?
dŠzt y14 BB††r .}€x †_S]†S}r € | †S zy†1>AA†S}r € | †1vxxv€u
dŠzt y14 BC† ~ ††v?

c ?T?e ., €zt†Z€t, .f, .r.tu

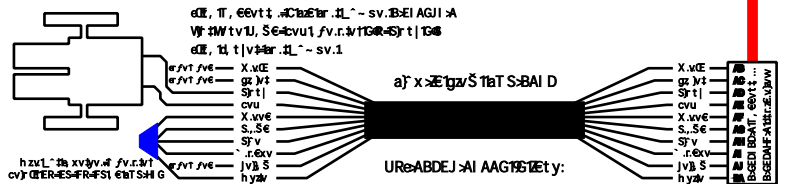
CFHDMr †#lv.tyv..1c, ru
X, tyv€=Zuz €r EGFCI
e }}M.vv B> GG>EFH>HUA1

ay, €v B>FHE>GEC>DI FH
W < 1111B>FHE>GEC>DI FI
y †#K @ Š Š ? .t † ., €zt † ? , ~

cT e>ABEAI >AAABH=1cv } C†ER=ES=FR17 FS



aT S>BAI D



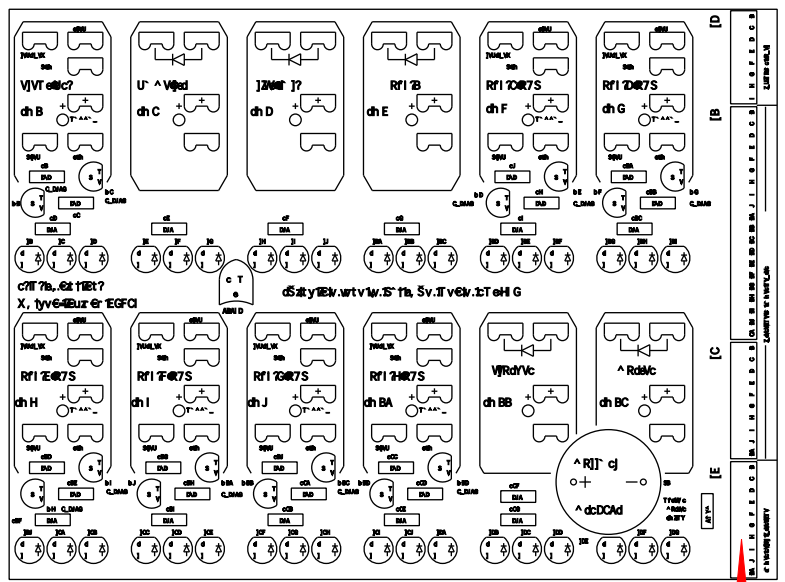
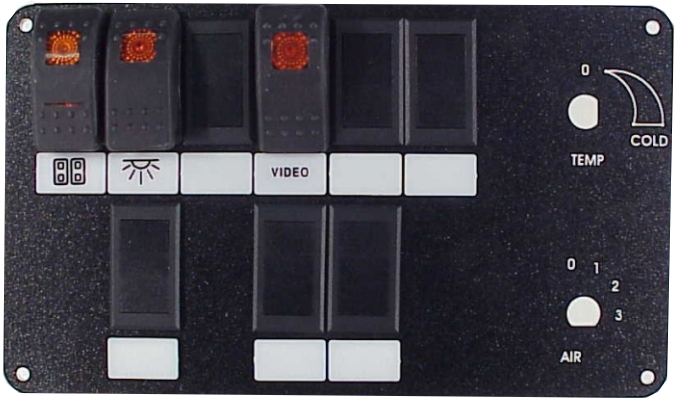
B>W tvf } †v =VRT >ABEAI >AAAA=^ r †v.z }=ev<† .v††† , r }†S}r t | †h yzv=ar .†L~ - sv.1l EC>ECC1
B>d>ABAI D
B1>G†€†y=Ur †† r s }v =UR>ABDEJ >AI AAG=†t, €€vt †† ††t S>BAI D>E1
11119 zv.†€^ †Lx.v.v€=s...Š€=s } v=† .r.€xv†7 †Syzv†† f v.r.†v†1.v.} C†ER=ES=FR17 FS?1
dŠ z† y14 AB†† r .}€x†dS=†S}r t | †_> W†9 _:†gl UB†h i i S>RVŠAA>AAA† R^ B†Š zy†1vxx€u†1>B† B=† V€†.€U, . ?.
dŠ z† y14 AC†† r .}€x†dS=†S}r t | †_> W†gBUBBi ` S>RVŠAA>AAA† c† B†Š zy†1vxx€u†1>B† C=† Z€†.z .}†xy†?
dŠ z† y14 AD†† r .}€x†_S }†S}r € | †Š zy†1>AA†S}r € | †1vxx€u†?
dŠ z† y14 AE†† r .}€x†dS=†S}r t | †_> W†gBUBBi ` S>RVŠAA>AAA† c† B†Š zy†1vxx€u†1>B† E=† cvr u€x†1xy†?
dŠ z† y14 AF†† r .}€x†_S }†S}r € | †Š zy†1>AA†S}r € | †1vxx€u†
dŠ z† y14 AG†† r .}€x†dS=†S}r t | †_> W†gBUBBi ` S>RVŠAA>AAA† c† B†Š zy†1vxx€u†1>G=† W ††Z†y?
dŠ z† y14 AH† ~ z††v†
dŠ z† y14 AI†† r .}€x†_S }†S}r € | †Š zy†1>AA†S}r € | †1vxx€u†?
dŠ z† y14 AJ† ~ z††v†
dŠ z† y14 BA†† r .}€x†_S }†S}r € | †Š zy†1>AA†S}r € | †1vxx€u†
dŠ z† y14 BB†† r .}€x†_S }†S}r € | †Š zy†1>AA†S}r € | †1vxx€u†
dŠ z† y14 BC† ~ z††v†?

c ?T?e ., €zt†Z€t, .f, .r.tu

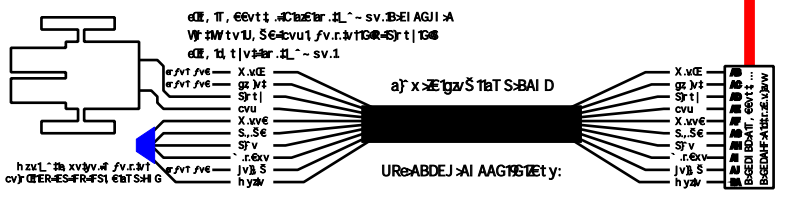
CFHDMr t#lv.tyv..lc, ru
 X, tyv€=Z€uz €r EGFCI
 e }}M.v B> GG>EFH>HUA 1

ay, €v B>FHE>GEC>DI FH
 W < 1111B>FHE>GEC>DI FI
 y#fK@ŠŠ?.t†., €zt†?, ~

cT e>ABEAI >AAABI =cv } C†ER=ES=FR17 FS



aT S>BAI D



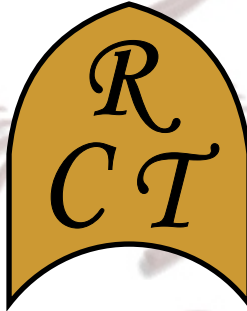
- B>W tvf} tv =VRT >ABEAI >AAAAA=^ r tv.z }=ev<f .v††T, r }S}r t | 1† h yzv =lar .†L^ ~ sv.1l EC>ECC1
- B>d>ABAI D
- B1>G†€ty=Ur †† r s}v =UR>ABDEJ >AI AAG=†t, €€vt ††† †aT S>BAI D>E1
- 11119 zv.†€^ †Lx.v.v€=s...Š€=s} v=† .r.€xv†7 †Syzv?† f v.r.†v†1.v.} C†ER=ES=FR17 FS?1
- dŠ z† y 14 AB†† r. }€x †dS=†S}r t | 19 _> W†9 _> †gl UB>h i i S>RVŠAA>AAA> R^ B†Š zy†1vxxv€u†1>BI B=† V€†€U, , .?
- dŠ z† y 14 AC†† r. }€x †dS=†S}r t | 1 _> W†gBUBBi ` S>RVŠAA>AAA> c† B†Š zy†1vxxv€u†1>BI C=† Z€†v.z .†1}xy†?
- dŠ z† y 14 AD†† r. }€x †_S††S}r € | †Š zy†1>AA†S}r € | †1vxxv€u?
- dŠ z† y 14 AE†† r. }€x †dS=†S}r t | 1 _> W†gBUBBi ` S>RVŠAA>AAA> c† B†Š zy†1vxxv€u†1>BEJ =† gzv, ?
- dŠ z† y 14 AF†† r. }€x †_S††S}r € | †Š zy†1>AA†S}r € | †1vxxv€u?
- dŠ z† y 14 AG†† r. }€x †_S††S}r € | †Š zy†1>AA†S}r € | †1vxxv€u?
- dŠ z† y 14 AH† ~ z†tvu
- dŠ z† y 14 AI†† r. }€x †_S††S}r € | †Š zy†1>AA†S}r € | †1vxxv€u?
- dŠ z† y 14 AJ† ~ z†tvu
- dŠ z† y 14 BA†† r. }€x †_S††S}r € | †Š zy†1>AA†S}r € | †1vxxv€u?
- dŠ z† y 14 BB†† r. }€x †_S††S}r € | †Š zy†1>AA†S}r € | †1vxxv€u?
- dŠ z† y 14 BC† ~ z†tvu?

c ?T ?e ..., €zt†1Z €t, ...f, ...r †vu

SPECIALIZING IN ELECTRONIC CONTROLS

2573 East Kercher Road
Phone 1-574-642-3857
Toll Free 1-866-457-7790

GOSHEN, IN 46528
Fax 1-574-642-3858
<http://www.rctronics.com>



T † ~ 1Uvtz€1 wvvt†, €z†, €†, ..}t

Speciality Vehicles

Wv.Rf fr .r.† †d€tv ~ †
a, †v †vvt †v d€tv ~ †
er.€†zS^ †d€tv ~ †
R~ s^ } €tv †d€tv ~ †

a.€†vu†z.t^zS, r.u†r€^†

T, ~ f^ †.Xv€v.r.†vuR.Š, .|.
W€††S† r †v.z.† |
U, ^s}x€uvu†} †vuxy.^.†, }v

T, ~ f†v†† r€^wvt†.€x wvtz†€

_vŠ†v.r.†hr %6d, }uv.€x†† rty€v
evty€z† r }Uv%6v†††S†† }vr €v...
R^† ~ r †vu††S†€tv.† €M, ^z~ v€††
f€z%6.†r }†r tv.†d€tv ~ †† ^†† ~ †w†v†}† †v†
\\†w†, ††† ~ f†† rty€v1

av.~ z†††† ††, }%6€^..Mvt†z†r }†wvt†, €z††, €†, ..}€vvut?