

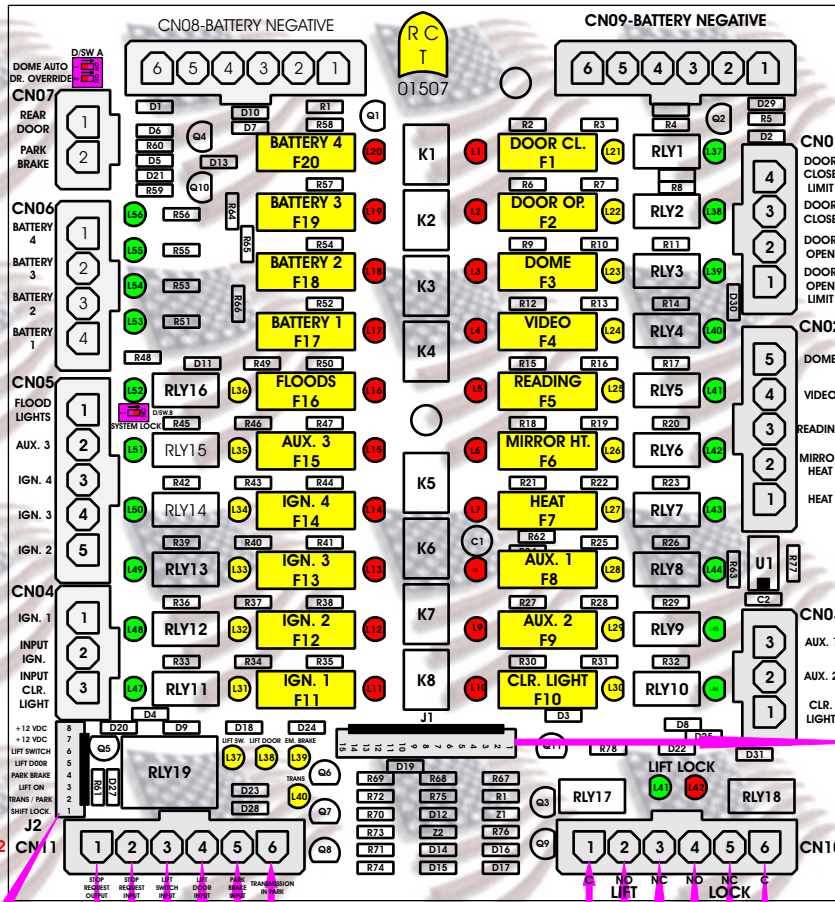


R. C. Tronics, Incorporated

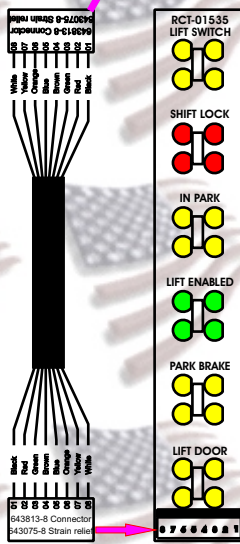
SPECIALIZING IN ELECTRONIC CONTROLS

Micro Line Series, Bus Power Center, RCT-01493, 01507, 01535 & 01010

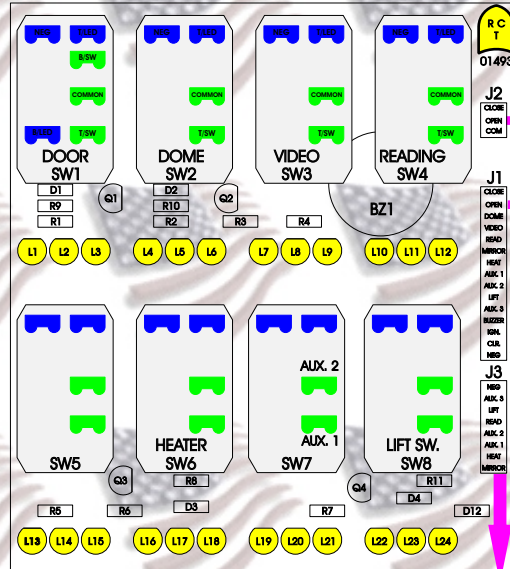
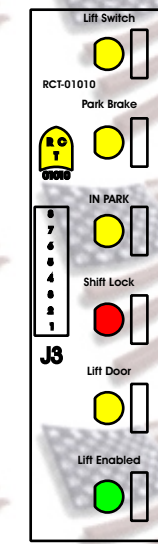
- Alarm 1 (sink)
- Alarm Inhibit (sink)
- Battery 12 VDC
- Battery 12 VDC
- Battery 12 VDC
- Battery 12 VDC
- Lift Floods 12 VDC
- Aux. #3 (12VDC)
- Ignition 4 (12VDC)
- Ignition 3 (12 VDC)
- Ignition 2 (12 VDC)
- Ignition 1 (12 VDC)
- OEM Ignition (source)
- OEM Clearance (source)
- 12 VDC J1-8
- 12 VDC J1-7
- Lift Switch On (sink) J1-6
- Lift Door Open (sink) J1-5
- Park Brake On (sink) J1-4
- Lift Output On (sink) J1-3
- Transmission / Park (sink) J1-2
- Shift Is Locked (sink) J1-1



RCT-01535, ADA, FRONT MOUNT OF
RCT-01010, ADA, REAR MOUNT



DAT-01348-XXXX

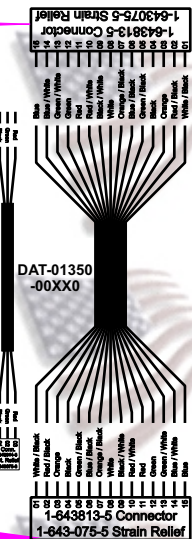


Aux. #2 thru Aux. #8 may be operated by placing a negative to the selected aux. Signal wire.



DAT-01348-04XX0

- Door Close Limit (sink)
- Door Close (12 VDC)
- Door Open (12 VDC)
- Door Open Limit (sink)
- Dome Lights (12 VDC)
- Aux. 1 (12 VDC)
- Aux. 2 (12 VDC)
- Aux. 3 (12 VDC)
- Aux. 4 (12 VDC)
- Aux. 5 (12 VDC)
- Aux. 6 (12 VDC)
- Aux. 7 (12 VDC)



DAT-01346-01XXX

J2-1 Door Close External Switch (sink)
J2-1 Door Open External Switch (sink)
J2-3 Battery Negative

- J1-01 Door Close Switch (sink)
- J1-02 Door Open Switch (sink)
- J1-03 Dome Light Switch (sink)
- J1-04 Aux. #1 Switch (sink)
- J1-05 Aux. #2 Switch (sink)
- J1-06 Aux. #3 Switch (sink)
- J1-07 Aux. #4 Switch (sink)
- J1-08 Aux. #5 Switch (sink)
- J1-09 Aux. #6 Switch (sink)
- J1-10 Lift SW. (sink)
- J1-11 Aux. #7 Switch (sink)
- J1-12 Buzzer/Door (sink)
- J1-13 Ignition (12VDC)
- J1-14 Aux. #8 (sink)
- J1-15 Battery Negative

- J3-1 Battery Negative
- J3-2 Aux. #3 (sink)
- J3-3 Lift (sink)
- J3-4 Reading (sink)
- J3-5 Aux. #2 (sink)
- J3-6 Aux. #1 (sink)
- J3-7 Heat (sink)
- J3-8 Mirror (sink)

R. C. Tronics Can Solve Your Electrical / Electronic Control Needs.

2573 East Kercher Road Goshen, Indiana 46528 1-574-642-3857 Toll Free 1-866-457-7790

www.rctronics.com